

| | BH4DLAWE | BH4DLTRAWE |
|----------------------------|----------|------------|
| Housing | 1 piece | 1 piece |
| Infrared Heat Lamps (275W) | 4 pieces | 4 pieces |
| Light globe (7W LED) | 1 piece | 1 piece |
| Instruction Sheet | 1 piece | 1 piece |
| Cut-out template | 1 piece | 1 piece |
| Ducting (3m x Ø125mm) | 1 piece | - |
| External grille | 1 piece | - |
| Wall switch plate | 1 set | 1 set |
| Cable ties | 1 set | - |

Product Notes

- This product must be installed and used as per these instructions.
- A switch disconnection must be incorporated in the fixed wiring in accordance with the wiring rules AS/NZS 3000.
- This appliance is not intended for use by persons (including children) with reduced physical, sensory or mental capabilities, or lack of experience and knowledge, unless they have been given supervision or instruction concerning use of the appliance by a person responsible for their safety. Children should be supervised to ensure that they do not play with the appliance.
- This appliance is intended for household use and similar purposes. It is not suitable for use in an environment heavily laden with dust. Under these conditions the life of the fan motor can be significantly reduced.
- This product contains no serviceable parts and no attempt should be made to repair this product. If the product is faulty it should be discarded.
- This product must be cleaned periodically from dust and other contaminants with a damp cloth. Aggressive cleaning agents and solvents should never be used.
- Airflows listed in this instruction sheet indicate the product performance. Refer to the BCA (Building Code of Australia), or similar, for the appropriate airflow required for a particular installation.
- Ventilation products must have an adequate source of external air to ensure correct performance.
- This product should not be enclosed in thermal insulation as it may cause the unit to overheat.
- This product has been designed for domestic or similar uses and is not suitable for a commercial installation.
- Precautions must be taken to avoid the back flow of gases into the room from the open flue of gas or other fuel burning appliances. Exhaust fans may adversely affect the safe operation of appliances burning gas or other fuels (including those from other rooms) due to back flow of combustion gases. These gases can potentially result in carbon monoxide poisoning. After installation of an exhaust fan such as a partition fan, the operation of flued gas appliance should be tested by a competent person to ensure that back flow of combustion gases does not occur.
- Extended exposure to UV rays (such as exposure to direct sunlight) may cause discolouration of this product.
- This product is not suitable for installation in hazardous and/or corrosive areas.
- This product has been designed to operate in ambient temperatures 5°C to 40°C.
- The material in this product may vary in colour from batch to batch. Colour matching from one batch to another cannot be guaranteed.
- This product utilises intellectual property in the form of registered designs, trademarks, and/or patents. Such intellectual property remains the property of Legrand in all cases.
- Legrand reserves the right to modify the specification of this product at anytime.

Trouble shooting

- This Instant Heat unit has a thermal-cutout for over-temperature protection. If the cutout trips, turn OFF the heat lamp circuits at the wall switch until the unit cools down. Switching ON the heat lamp circuits will then reset the cutout and normal function. Keep the fan running to aid cooling. If the issue reoccurs check the appliance as there may be a problem with the installation.

Warranty

- Legrand ("we or us") has given each purchaser who is a consumer ("you") a warranty against defects in its products.
- As a consumer, you are entitled to the benefit of the Warranty and should read and understand its terms. In addition, for the purposes of the Australian and New Zealand Consumer Laws, we note the following:
 - If we accept your claim under the Warranty we will reimburse all your reasonable expenses in making and pursuing the claim, including the cost of reimbursement of any defective products returned in the ordinary course to us at the address above by post or other agreed means. Any such claim must be made within 14 days of your receiving notice of our acceptance of your claim and include any necessary supporting documentation or invoices.
 - As a consumer, you have rights under the Australian and New Zealand Consumer Laws and may have rights under other applicable laws which cannot be excluded, restricted or modified. Those rights are in addition to any rights you have under the Warranty.
 - Legrand warrants this product for a period of 5-year warranty on materials and workmanship (excluding Heat lamps and Centre light) from the date of purchase. Our goods (which we refer to in the Warranty as the Products) come with guarantees that cannot be excluded under the Australian and New Zealand Consumer Laws. You are entitled to a replacement or a refund for a major failure and compensation for any other reasonably foreseeable loss or damage. You are also entitled to have the goods repaired or replaced if the goods fail to be of acceptable quality and the failure does not amount to a major failure.

- Our contact details for the purpose of any claims made under the Warranty are below. Any claim under the Warranty must be sent in writing to the following address:

AUSTRALIA ONLY

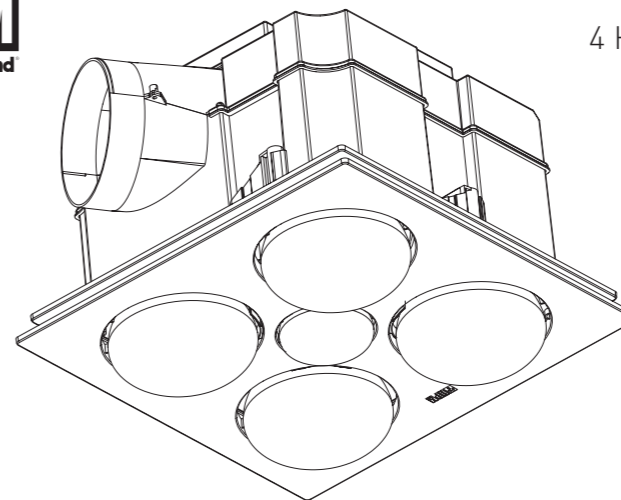
Legrand Australia Pty Ltd
Nexus Industry Park
Bldg 4, 43-47 Lyn Parade
PRESTONS, NSW 2170
1300 369 777
sales.orders@legrand.com.au

NEW ZEALAND ONLY

Legrand New Zealand Ltd
106-124 Target Rd
GLENFIELD, AUCKLAND
0800 476 009
nz.sales@legrand.co.nz



LE14338AC



Ducted Instant Heat 3-in-1

4 Heat Lamp model: **BH4DLAWE, BH4DLTRAWE**

Instruction Sheet

The Ducted Instant Heat 3-in-1 are ceiling mounted heat lamp appliances combining the functions of heater, extraction fan and luminaire.

1 Specifications

| Model | BH4DLAWE | BH4DLTRAWE |
|----------------------------------|-------------------------------|--------------|
| Supply Voltage | 230-240 V a.c. 50 Hz | |
| Current | 4.8 A max. | |
| Max. Power Input | 1150 W | |
| Fan Motor | 40 W | |
| Airflow#: | 270 m ³ /hr max#. | |
| | 75 l/s max# | |
| Ceiling cut-out | 320 x 320 mm | |
| Projection into ceiling | 220 mm | |
| Required ceiling depth | >300 mm | |
| Fascia | Size | 368 x 368 mm |
| | Protrusion (excl. lamps) | 27 mm |
| Ceiling thickness | 8-32 mm | |
| Protection Class | Class I | |
| IP Rating | IPX4 | |
| Draught Stopper | Yes | |
| Heat Lamps Provided | 4 x 275 W | |
| LED centre light | Cat: LR80014K - R80 CCT-4000K | |
| Impeller diameter | Ø134mm | |
| Sound pressure level (dBA) at 3m | 42 dBA | |

- Airflow dependant on installation conditions.

Note: Airflow will be reduced with bends in duct, squashing of duct, restrictions on replacement air entering the room to be ventilated, or pressure differentials between the room and outside air and elevation of the outlet duct and grille with reference to the bathroom heater.

2 Please read carefully

Read through these instructions completely before commencing installation. Retain for future use. This product shall be installed by a licensed electrical contractor or similarly qualified person.

CAUTION:

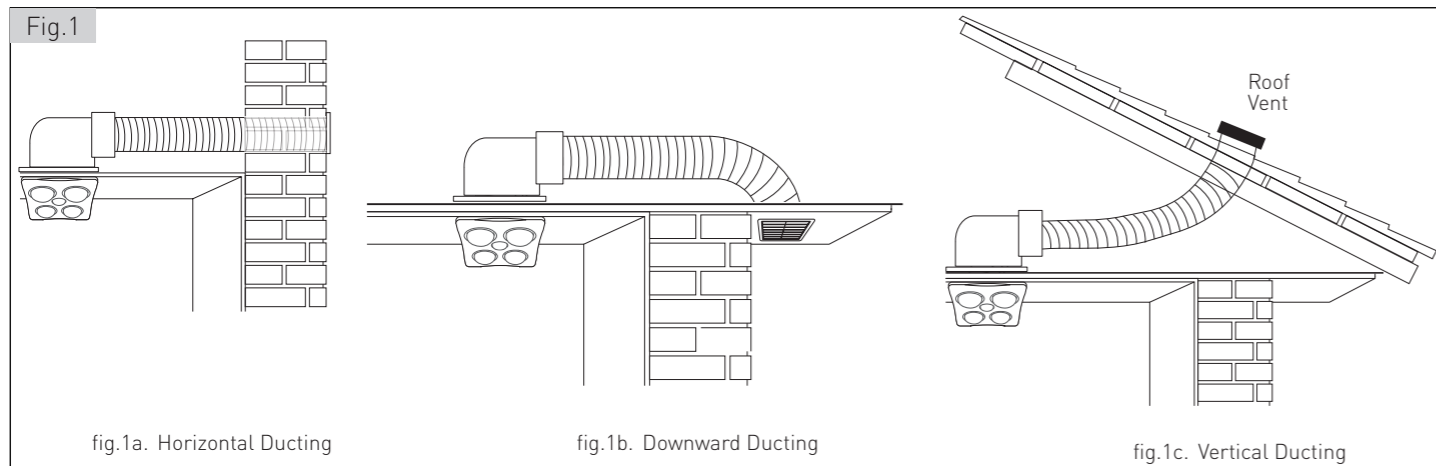
Regulations concerning the discharge of air must be fulfilled. Local building codes may require venting to the outside. The Instant Heat is for ceiling mounting only, with the lowest point to be at least 2.2 metres above floor level. It is not intended to be installed in wardrobes or within 300mm of walls. To prevent heat accumulation, adjacent recessed bathroom heaters must be installed at least 2 metres apart from each other. Please note there is a danger of combustion if placed too close to curtains or other flammable materials. Under no circumstances must the Instant Heat be covered with insulating material within the ceiling space.

Instant Heat must not be installed where there is a possibility of water splashing onto the lamps. Locate in accordance with the requirements of the Wiring Rules AS/NZS 3000 relating to damp situations. For best practice, HPM recommends that it should not be installed directly above the bath or shower recess or enclosure. For unenclosed showers refer to the Wiring Rules conditions.

Note: Steam will only be removed if there is sufficient flow of air through the room. Ensure adequate inlet openings in the room are provided, for example through windows, vents or under the door. Air-flow paths from room inlets to fan should ideally pass over surfaces where condensation may form.

3 Installation

Remove all packaging from the product before commencing installation.
Ensure the circuit has been isolated from the 240 V mains before commencing work.



CAUTION:

In order to avoid a hazard due to inadvertent resetting of the thermal cut-out, this appliance must not be supplied through an external switching device, such as a timer, or connected to a circuit that is regularly switched ON and OFF by the utility.

I. Cutting a vent

Cut out a 125 mm diameter hole in the external wall or eave.

II. Ducting

The unit can be installed as shown below in Fig. 1. For best results the outlet should be at the same level or lower than the exhaust fan (fig. 1a & fig. 1b). **Warning:** Vertical ducting with roof vents will result in reduced fan performance, increased noise and condensation/dripping (fig. 1c). Mount grille and seal any gaps around grille where necessary.

III. Locating the Instant Heat

Ensure the Instant Heat is installed at least 2.2 m above floor level.

IV. Preparation of the ceiling

Before cutting out the hole consider the orientation of the Instant heat and the position of the duct outlet. To ensure maximum performance the following points should be observed:

- minimise the number of bends in the ducting.
- level of the outlet grille should be at the level of the outlet duct.
- ducting should not be squashed.
- avoid sagging of the ducting to prevent water accumulation.

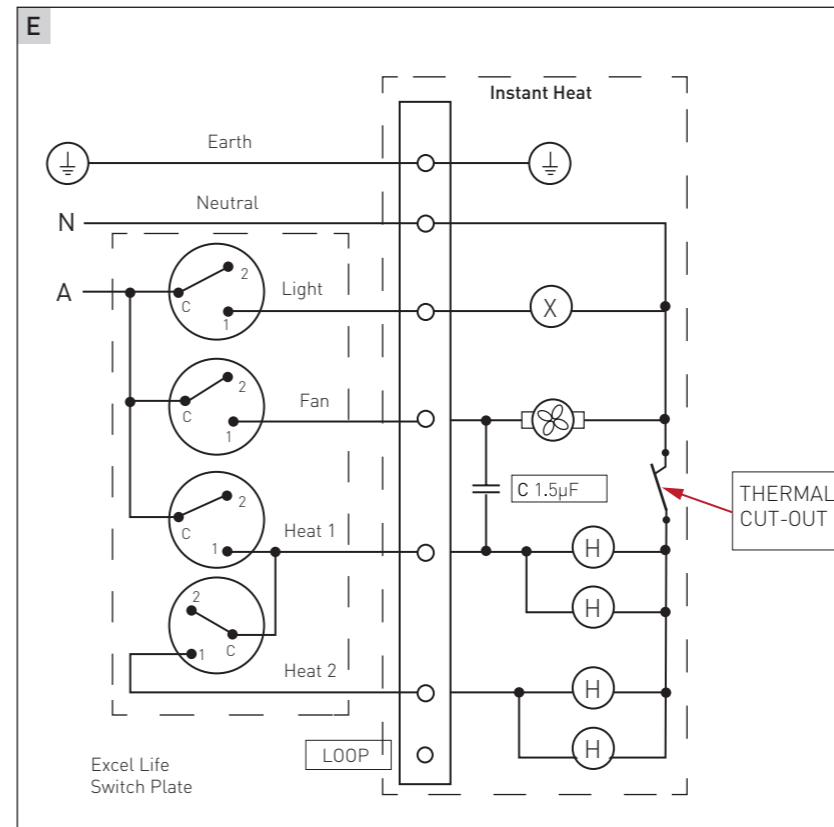
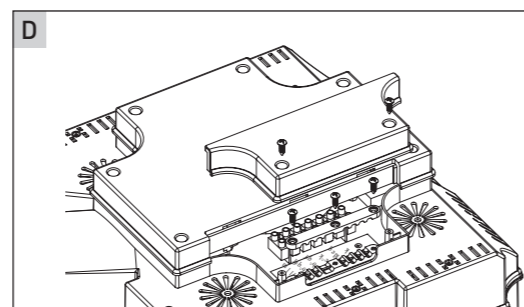
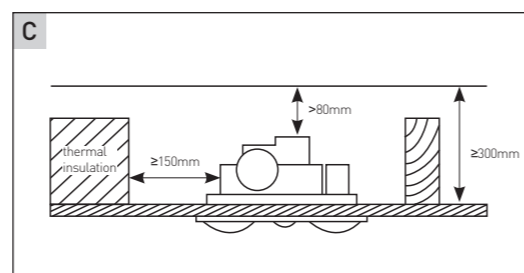
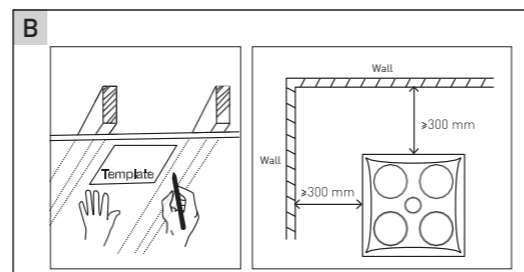
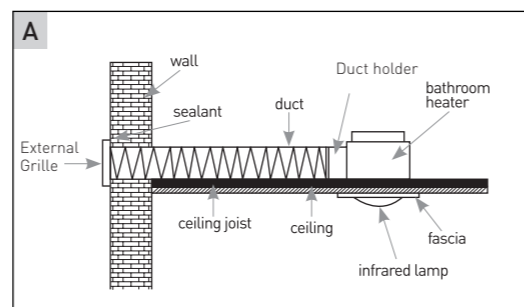
Using the ceiling cut-out template provided, mark the ceiling with a pencil outline and cut-out a hole at the chosen area. Make sure the distance between the unit and adjacent wall is not less than 300mm. Refer to Fig B.

V. Required Clearances

Within the ceiling cavity, there should be a minimum recess depth of 300mm to the roof. Thermal insulation or similar material shall not be placed on top of the instant heat, and adjacent material shall be kept clear to a minimum distance of 150mm. Joists, beams and rafters shall not be cut or notched to install the Instant Heat. Refer to Fig C.

VI. Remove the fascia

Remove all lamps from the unit. Remove the fascia.



CAUTION: WARRANTY WILL BE VOID IF THE INSTANT HEAT UNIT IS NOT WIRED AS PER WIRING DIAGRAM E.

VII. Wiring

Isolate the mains supply. Remove the back cover and wiring clamp to connect fixed wiring as shown in Fig. D. Replace cover when finished.

An Excel Life™ wall switch plate is provided with this product. When choosing a location ensure the wall plate is not within arm's reach or accessible to a person in a bath or shower. Follow the wiring diagram shown in Fig. E.

VIII. Duct connection

Fit the ducting to the Instant Heat unit and fix with the cable tie provided. Refer to Fig. F.

IX. Insertion into cavity

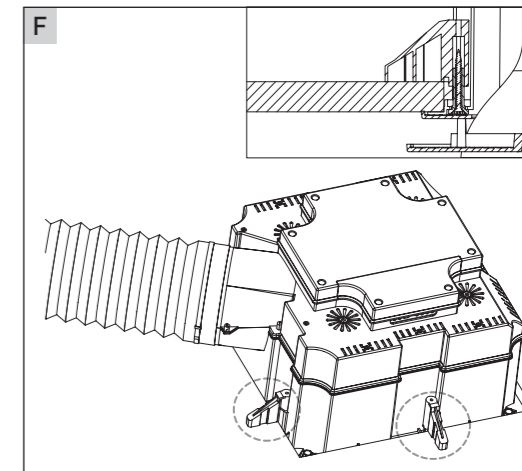
Carefully slide the unit into the cavity and use a screwdriver to tighten the clips. Refer to Fig. F.

X. Final Installation

1. Replace the fascia and hook it to the spring clamps and install all the lamps. Fix the switch plate to the wall.
2. Reconnect power from the mains supply and test for correct operation.
3. Test airflow by holding a piece of tissue paper near the centre light.

Note:

1. When the unit is wired as per the wiring diagram E, the fan will run at reduced speed when Heat1 is turned ON or when both Heat1 and Heat 2 are turned ON.
2. The product is designed such that Heat 2 will not be switched ON unless Heat 1 is turned ON.



4 Maintenance

Cleaning

Instant Heat should be cleaned every 6 months or more often to prevent dust build-up.

1. Disconnect power to Instant Heat before cleaning.
2. Wipe lamps and fascia with care using a soft cloth soaked with neutral detergent. Ensure lamps are cool to touch before handling.

Replacement parts

Disconnect power to Instant Heat before lamp replacement.

Replacement lamps:

Heat Lamp: L275HLES (275W)
Centre light: LR80014K or E27 R80 7W LED globe
Switch wall plate: Excel Life™ [Dedicated Plate Series and Mechanisms]